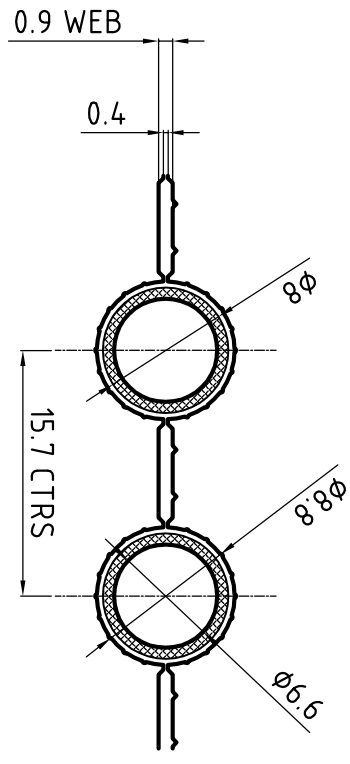
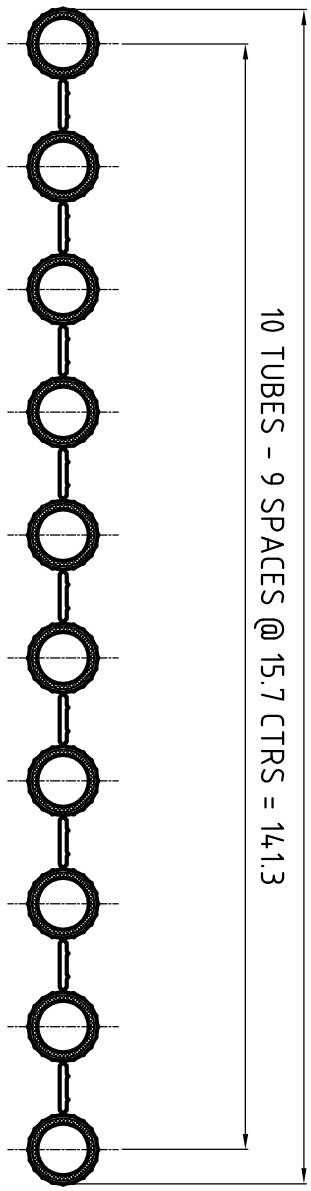


DRAWING No <b>D04418</b>	UNLESS OTHERWISE STATED TOLERANCE PRINCIPLE TO RMA	CLASS	<b>E2</b>	CROSS SECTION AREA 162 / 163 MM <sup>2</sup>	MINIMUM CONTINUOUS UNCOIL LENGTH WITHIN A COIL	30	mtr's	POST CURE	NO	TEMP	-	°C	TIME	-	HRS	
WHEN TESTED TO ASTM	POLYMER PVC NITRILE	S.G.	1.24	DURO SHORE A	80°	TOLERANCE	+5 / -5	TENSILE MPa	-	ELONGATION %	-	PACKING AND SHIPPING DETAILS				
UNLESS OTHERWISE TOLERANCES WILL BE TO RMA CLASS E2													30 mtr COILS LOOSELY WOUND SHRINK WRAP STACK ONTO PALLET			
ABOVE	UP TO	TOL														
0	15	±0.25														
15	2.5	±0.35														
2.5	4.0	±0.40														
4.0	6.3	±0.50														
6.3	10.0	±0.70														
10.0	16.0	±0.80														
16.0	25.0	±1.00														
25.0	40.0	±1.30														
40.0	63.0	±1.60														
63.0	100.0	±2.00														



**customer approval**

This drawing has been checked for all design requirements and has been approved. In no event will Boss Polymer Tech be responsible for product design, fitment for purpose, product use or any infringement of copyright, registered design or patent

customer \_\_\_\_\_ date \_\_\_\_\_

eng design checked \_\_\_\_\_ date \_\_\_\_\_

final approval \_\_\_\_\_ date \_\_\_\_\_

**NOTE:-**

WITH TUBE FORMED ROUND INSIDE DIA OF TUBE WHEN TESTED WITH GO / NO GO GAUGE GNG-8 REF. Ø6.6 ±0.2 TYPICAL 10 TUBES

REV	DESCRIPTION	DATE	BOSS POLYMER TECHNOLOGIES Pty Ltd 28 MILES STREET MULGRAVE VIC 3170 AUSTRALIA PH (61) 9561 2777 FAX (61) 9560 8777 A.L.N. 053 088 529	DRAWN: DJB	DATE: 7/27/14	SCALE: 1:1	SHEET SIZE: A4	BLACK/COLOR	041	PANTONE COLOUR	PART #:	P060	CLIENT	BOSS POLYMER 10 TUBE CO-MAX PVC ABSORBER EXTRUSION	OTS NUMBER	BOSS DIE NUMBER	REVISION	A
A	ISSUED FOR MANUFACTURE	7/27/14	THIS DRAWING IS THE PROPERTY OF BOSS POLYMER TECHNOLOGIES PTY LTD AND IS SUBJECT TO RETURN UPON REQUEST. IT IS ISSUED WITH REFERENCE TO CONTRACTS OR PROPOSALS OUTSIDE PARTIES IN ANY FORM WITHOUT OUR WRITTEN PERMISSION.															

OPTICAL PROJECTOR	DWG No	-
REVISION	A	
GO NO-GO NUMBER		
FITMENT NUMBER		
CUST SAMPLE No.		